

MODIA FLOOR MOUNT

CERAMIC TOILET SUITE



Floor mount toilet suite Clean Flush, Nanoglaze, Easy Care Height

Sleek style and efficient performance in a premium space-saving toilet system with hidden cistern and pneumatic flush.

Pan - details:

- Stylish minimalist design, sits flat against wall
- Clean Flush rimless pan design for an efficient, powerful flush
- White vitreous china with nanoglaze surface, easy to clean
- Easy care height - pan height 430 mm
- Soft-closing, easy-clean quick release seat with stainless steel pins
- S or P trap

C100 slim in-wall cistern - details:

- Hidden cistern activated through a premium pneumatic system connected to the flush plate buttons
- Fully insulated with anti-condensation foam to prevent moisture escape
- Easy to install and service through the flush plate
- WELS 4 star 4.5/3L water saving flush

ORDER CODE TOILET SUITE — Includes pan, seat, C100 slim in-wall cistern*

191774	Modia FM suite, Deluxe seat	[old code: STO-307-12]
191773	Modia FM suite, Slim seat	[old code: STO-307-11]
191850	Modia FM suite, Flat seat	[old code: n/a]
191772	Modia FM suite, Classic seat	[old code: STO-307-10]

PAN AND SEAT ONLY (no cistern)

191771	Modia FM pan, Deluxe seat	[old code: STO-307-02]
191770	Modia FM pan, Slim seat	[old code: STO-307-01]
191841	Modia FM pan, Flat seat	[old code: n/a]
191769	Modia FM pan, Classic seat	[old code: STO-307-00]

Order flush buttons separately.

PAN	Wall faced with rimless Clean Flush pan design.
MATERIAL	White vitreous china.
TRAPS	Universal trap, suitable for S or P trap installations.
SEAT	Quick release seat with stainless steel hinges, soft closing.
SETOUT	Variable 90-120 mm using supplied connector.
FIXING	Pan may be bedded with cement base or using silicone sealant.

* Note: C101 undercounter in-wall cistern is available on request.

TOILET SEAT OPTIONS



- DELUXE SEAT (40mm lid)**
- Premium quality
 - Easy to clean, anti-scratch
 - Rigid, ceramic-like surface
 - Made from Thermoset (UF)



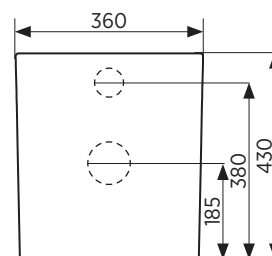
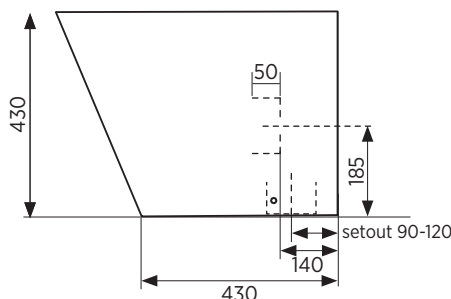
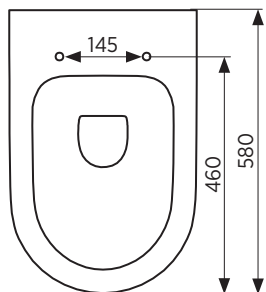
- SLIM SEAT (20mm lid)**
- Premium quality
 - Easy to clean, anti-scratch
 - Rigid, ceramic-like surface
 - Made from Thermoset (UF)






- FLAT SEAT**
- Premium quality
 - Easy to clean, anti-scratch
 - Rigid, ceramic-like surface
 - Made from Thermoset (UF)



- CLASSIC SEAT (40mm lid)**
- Lightweight, shiny finish
 - Easy to clean
 - Rigid, ceramic-like surface
 - Made from Thermoplastic (PP)



 Rimless Clean Flush pan - for an efficient, powerful flush.  Nanoglaze surface - ultra-smooth, anti-bacterial, easy to clean.  Easy care height - making it easier to get on and off the seat.

SEIMA

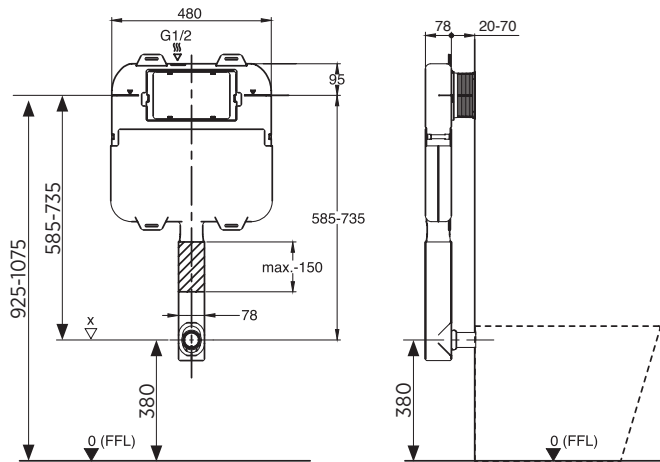
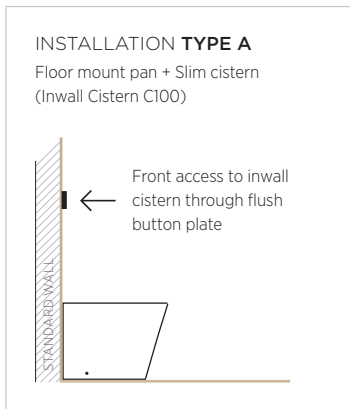
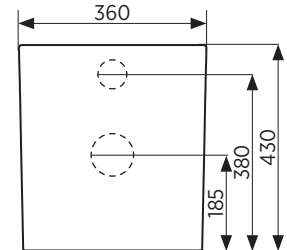
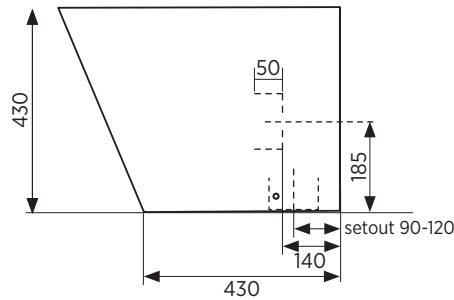
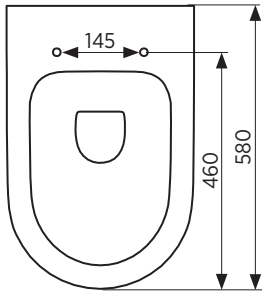
bathroom | kitchen | laundry

seima.com.au

Please note

- Installation shall be in accordance with AS/NZS3500.
- All measurements are in millimetres. Height dimensions are to base of pan. Make allowance for bedding.
- Bedding: Pan may be bedded with cement base or using silicone sealant. Fix pan to floor using a sand cement mixture of 3:1 to a depth of 60mm. Do not use lime or fast-drying cement.
- Bracket fixing: The pan should be bedded with silicone sealant and fixed with the brackets supplied. Do NOT use epoxy type adhesives.
- Dimensions are nominal and subject to normal ceramic manufacturing variations.
- Specifications may vary without notice as part of our continuous improvement practices.
- Clean with a damp cloth. Do not use abrasive cleaners, liquids or pastes.

MODIA FLOOR MOUNT PAN + C100 IN-WALL SLIM CISTERN



SEIMA

bathroom | kitchen | laundry

seima.com.au

Please note

- Installation shall be in accordance with AS/NZS3500.
- All measurements are in millimetres. Height dimensions are to base of pan. Make allowance for bedding.
- Bedding: Pan may be bedded with cement base or using silicone sealant.
Fix pan to floor using a sand cement mixture of 3:1 to a depth of 60mm. Do not use lime or fast-drying cement.
- Bracket fixing: The pan should be bedded with silicone sealant and fixed with the brackets supplied.
Do NOT use epoxy type adhesives.
- Dimensions are nominal and subject to normal ceramic manufacturing variations.
- Specifications may vary without notice as part of our continuous improvement practices.
- Clean with a damp cloth. Do not use abrasive cleaners, liquids or pastes.